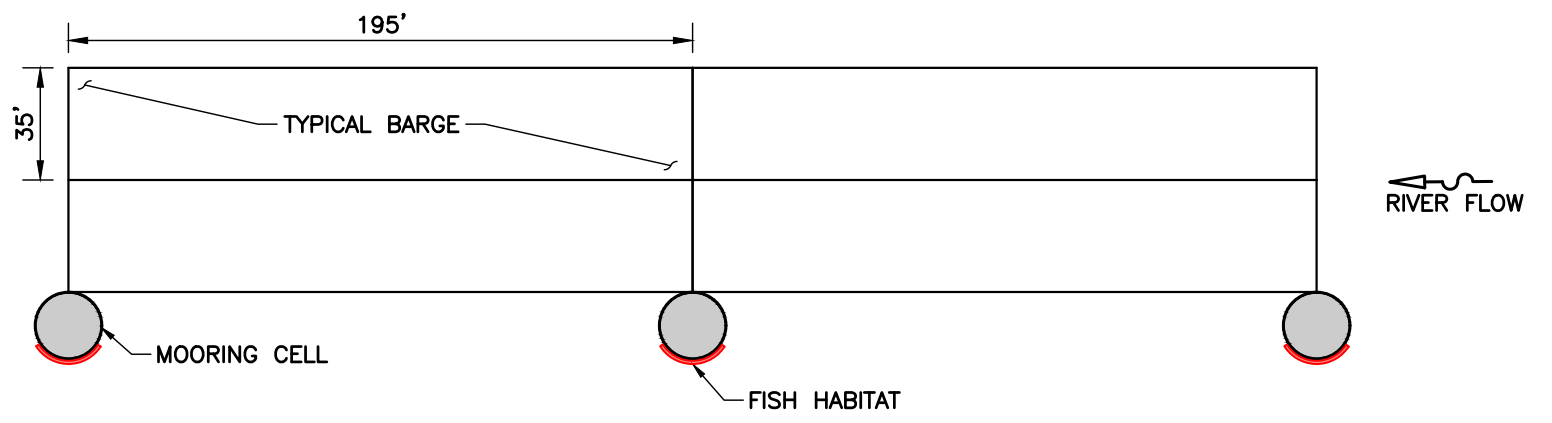
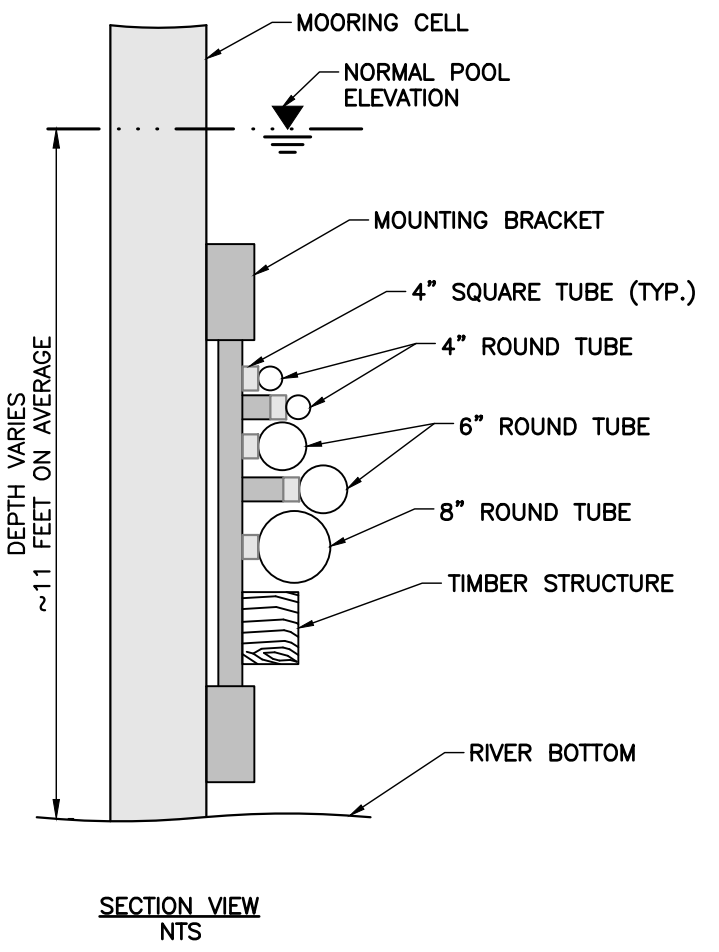
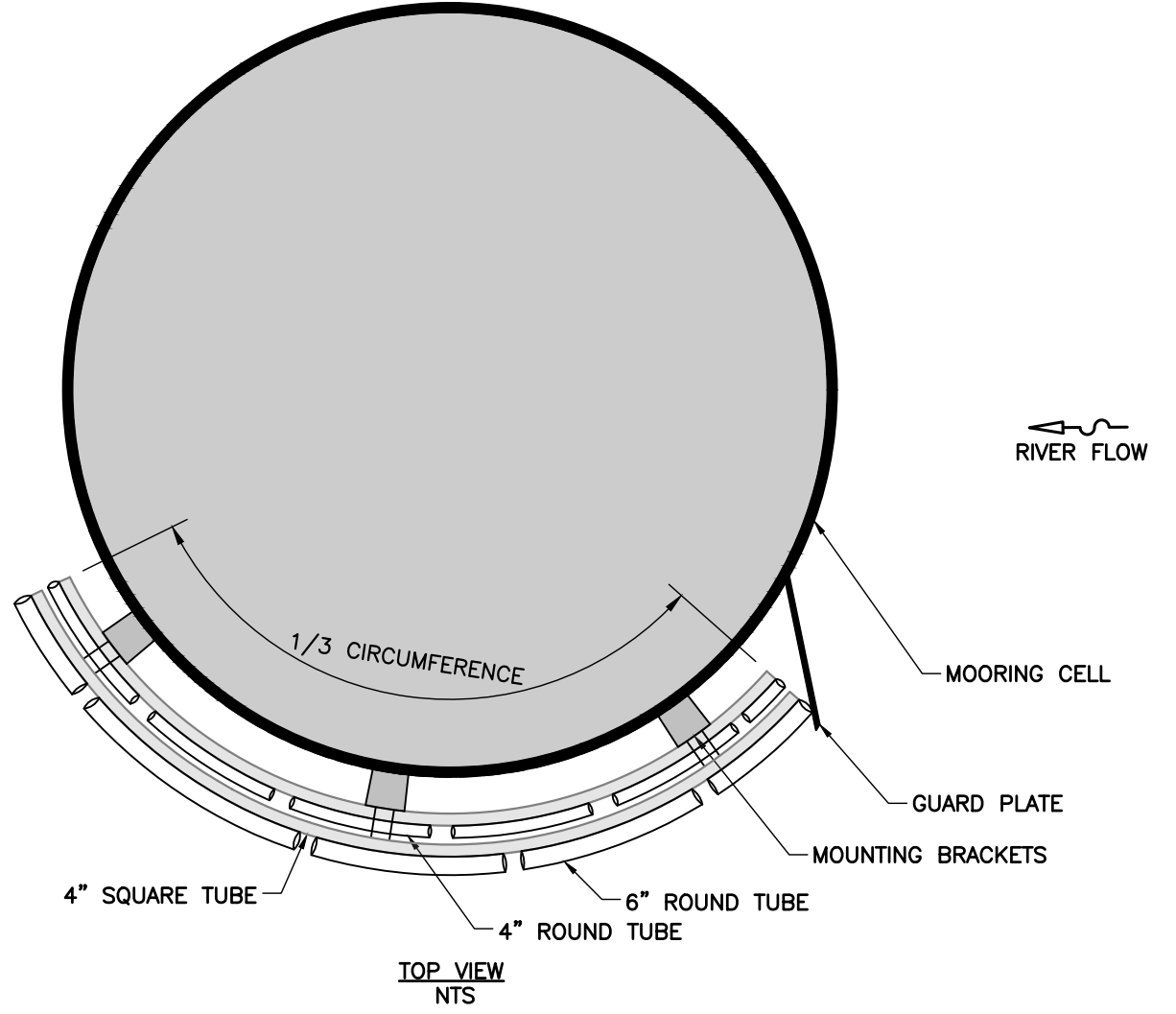
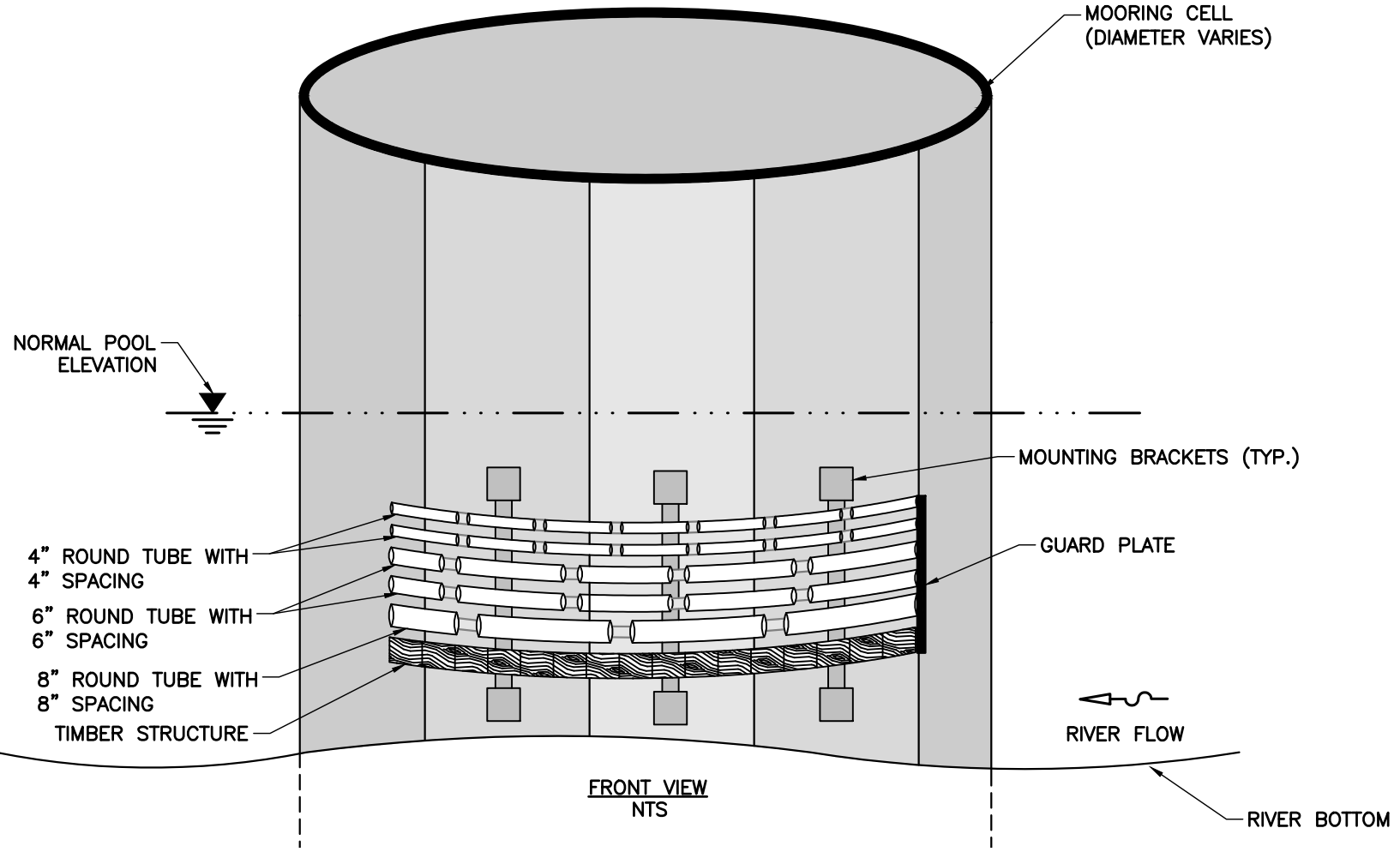



P:\310-000\316-437\CADD\References\316437-Fish Habitat Structure.dwg[DT-1] LS:(3/6/2022 - tpriddy) - LP: 5/11/2023 5:06 PM



 <b>Civil &amp; Environmental Consultants, Inc.</b> 700 Cherrington Parkway · Moon Township, PA 15108 412-429-2324 · 800-365-2324 www.cecinc.com		NUCOR STEEL WEST VIRGINIA MASON COUNTY, WEST VIRGINIA	
		<b>MOORING CELL          FISH HABITAT STRUCTURE DETAIL</b>	
DRAWN BY: NKM DATE: MARCH 2022	CHECKED BY: SMF DWG SCALE: NTS	APPROVED BY: ZJC PROJECT NO: 316-437	FIGURE NO.: <b>7-1</b>